

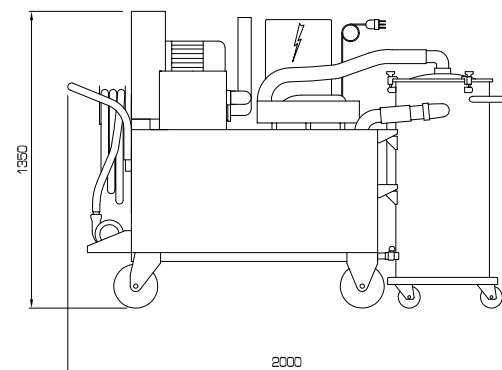
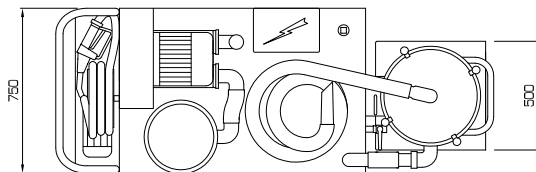
ADVANTAGES:

- Suitable for all machine tools
- Lower disposal costs
- Easy and rapid emptying without dripping
- Energy saving
- Easy handling
- Easy maintenance
- Reliable and solid construction
- Large capacity collection tank
- The most difficult areas of the tank are easily reachable
- Independent suction pump
- Electrical equipment included



ATL swarfs and liquid aspirator empties and cleans coolant tanks.

**ALWAYS CLEAN TANKS
WITH ATL ASPIRATOR!**



ATL type	350
Power (kW)	4
Unladen weight (kg)	390
Noise (dBA)	70
Capacity liters	350

Structure in carbon steel or stainless steel
 Colour on request - Subject to technical modifications

Feel free to contact us! Our team can provide your custom solution.