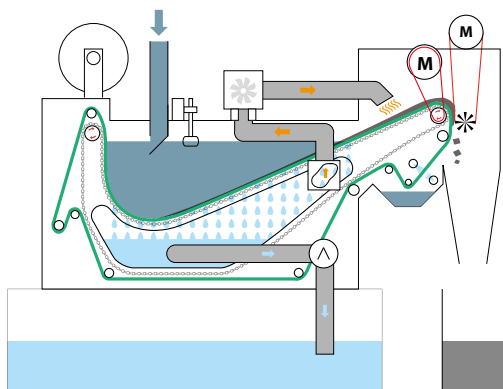


AUTOMATIC NON-WOVEN VACUUM FILTER

FLOW RATE FROM 700 TO 950 L/MIN



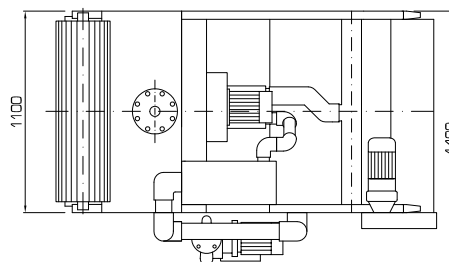
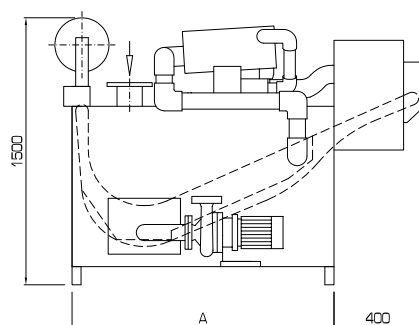
ADVANTAGES:

- Suitable for all machine tools
- Dry and compact sludges
- Reduced non-woven consumption
- Automatic and continuous operation
- Low purchasing cost
- Energy saving
- Compact design
- Easy maintenance
- High filtration degree thanks to a thick sludge panel
- Reduced overall dimensions
- Reliable and solid construction
- High flow rate thanks to the powerful depressor
- Automatic non-woven winder with sludge separation available
- Electrical equipment on request

Series SBV automatic vacuum filters clean coolants combining reduced dimensions and high flow rates.



CHOOSE FILTRA NON-WOVENS FOR A BETTER FILTRATION RESULT!



SBV type	B1.4	B1.9
l/min*	700	950
A (mm)	1450	1950

* Viscosity < 4 cSt - Structure in carbon steel or stainless steel
Colour on request - Subject to technical modifications

Feel free to contact us! Our team can provide your custom solution.