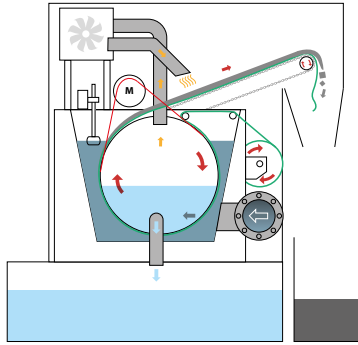


AUTOMATIC NON-WOVEN VACUUM DRUM FILTER
 FLOW RATE FROM 200 TO 1300 L/MIN


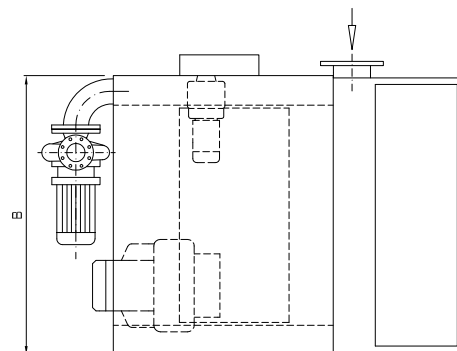
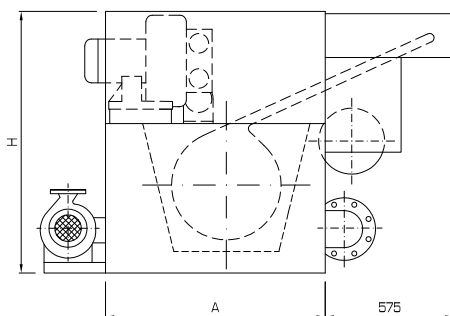
Series SAFI-T automatic vacuum filters clean coolants combining reduced dimensions and very high flow rates.



CHOOSE FILTRA NON-WOVENS FOR A BETTER FILTRATION RESULT!

ADVANTAGES:

- Suitable for all machine tools
- Dry and compact sludges
- Reduced non-woven consumption
- Automatic and continuous operation
- Perfect for small and medium-sized systems
- Energy saving
- Compact design
- Easy maintenance
- High filtration degree thanks to a thick sludge panel
- Reliable and solid construction
- High flow rate thanks to the powerful depressor
- Automatic non-woven winder with sludge separation available
- Electrical equipment on request



Safi-T type	0.4	0.7	1.0	1.7
I/min*	200	500	1000	1300
A (mm)	700	1000	1000	1150
B (mm)	720	745	1270	1340
H (mm)	900	1250	1250	1500

* Viscosity < 4 cSt - Structure in carbon steel or stainless steel - Colour on request
 Subject to technical modifications

Feel free to contact us! Our team can provide your custom solution.