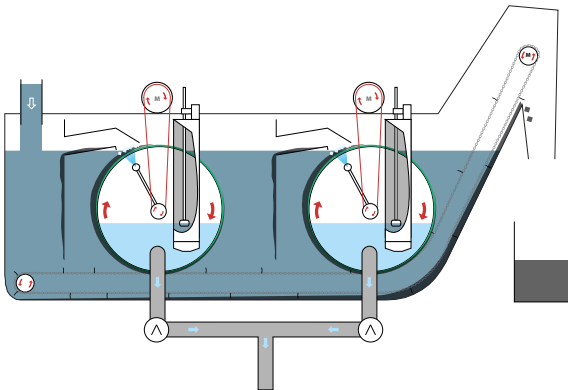
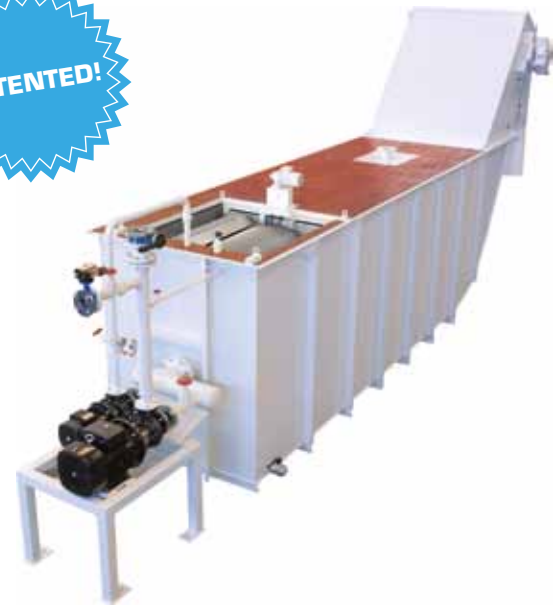


SELF-CLEANING DRUM FILTER
FLOW RATE FROM 200 TO 6600 L/MIN



PATENTED!

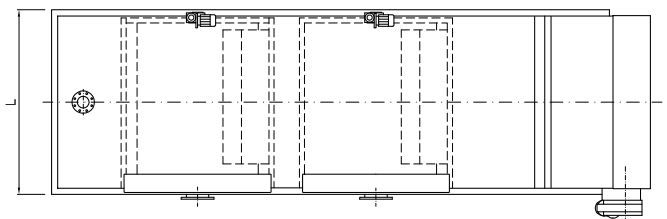
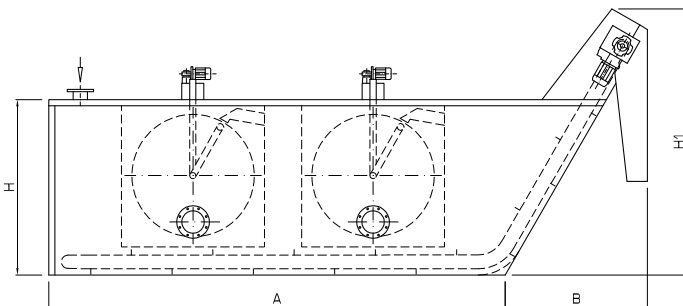


Series CUBO-C self-cleaning drum filters clean coolants

ADVANTAGES:

- Suitable for all machine tools
- Non-consumable filtering media
- Self-cleaning
- Automatic and continuous operation
- Perfect for centralized systems and high flow rates
- Energy saving
- Fast maintenance without downtime
- Ready for different degrees of filtration
- Easy installation
- Reliable and solid construction
- Maximum filtering surface
- Dredging chain to remove the sludge
- Filter blanket in stainless steel
- Modular system
- Available pressing-sludge device
- Electrical equipment on request

**THANKS TO CUBO-C, NEVER
SLUDGE DEPOSIT IN THE TANK!**



Cubo-C type	75.060	75.080	95.080	95.100	95.120	120.120	120.140	170.150	120.120-2	120.140-2	170.150-2
l/min*	200	300	450	600	750	1200	1400	3300	2400	2800	6600
Drum filters	1	1	1	1	1	1	1	1	2	2	2
A (mm)	2150	2150	2300	2300	2400	3000	3300	4350	6650	7200	7800
B (mm)	1250	1250	1350	1350	1350	1450	1600	2150	1350	1600	2150
H (mm)	1300	1300	1500	1500	1500	1750	2050	2600	1750	2050	2600
H1 (mm)	2300	2300	2500	2500	2500	2700	3500	4100	2700	3500	4100
L (mm)	1100	1300	1300	1500	1700	1700	2000	2400	1700	2000	2400
Capacity liters	2350	2800	3600	4200	5000	7450	10600	22450	16300	19500	40300

* Viscosity < 4 cSt - Structure in carbon steel or stainless steel - Colour on request - Subject to technical modifications

Feel free to contact us! Our team can provide your custom solution.