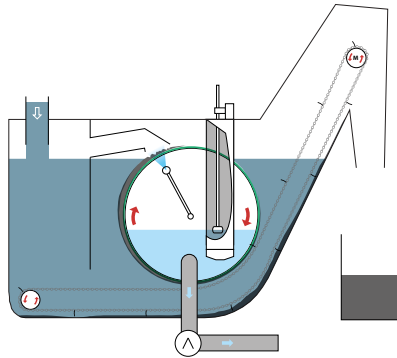


SELF-CLEANING DRUM FILTER
FLOW RATE FROM 110 TO 750 L/MIN



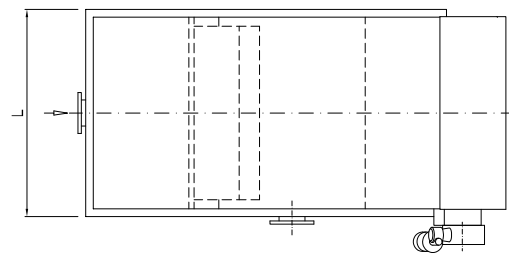
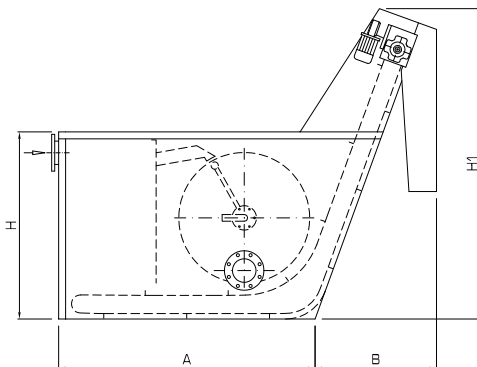
ADVANTAGES:

- Suitable for all machine tools
- Non-consumable filtering media
- Self-cleaning
- Automatic and continuous operation
- Perfect for small and medium-sized plants
- Energy saving
- Fast maintenance without downtime
- Ready for different degrees of filtration
- Easy installation
- Reliable and solid construction
- Maximum filtering surface
- Dredging chain to remove the sludge
- Filter blanket in stainless steel
- Available pressing-sludge device
- Possible installation on tank
- Electrical equipment on request



**Series CUBO self-cleaning drum
filters clean coolants.**

**THANKS TO CUBO, NEVER
SLUDGE DEPOSIT IN THE TANK!**



Cubo type	50.060	75.060	75.080	95.080	95.100	95.120
I/min*	110	200	300	450	600	750
A (mm)	1650	2000	2450	2750	2850	2900
B (mm)	670	850	850	930	930	930
H (mm)	910	1200	1200	1400	1400	1400
H1 (mm)	1650	2050	2050	2300	2300	2300
L (mm)	750	750	950	950	1150	1350
Capacity liters	580	1250	2000	2750	3550	4300

* Viscosity < 4 cSt - Structure in carbon steel or stainless steel - Colour on request - Subject to technical modifications

Feel free to contact us! Our team can provide your custom solution.