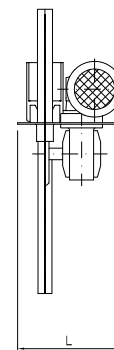
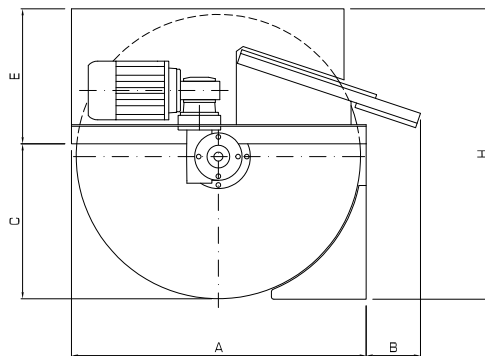


Series JOLLY oil skimmers remove tramp oils floating on emulsions.

ADVANTAGES:

- Adaptable to existing tanks
- Longer life for coolants
- Lower disposal costs
- Self cleaning
- Automatic and continuous operation
- Low purchasing costs
- Energy saving
- Parts in contact with liquid in stainless steel
- Minimal maintenance
- Easy installation
- Reliable and solid construction
- Higher depth of immersion available on the market
- Different sizes fitting for all tanks
- Available in stainless steel
- Electrical equipment on request

**STOP TO BAD ODOURS
WITH JOLLY OIL SKIMMER!**



Jolly type	30	40	60	90	120
Extraction (l/h)	5	7	10	15	20
A (mm)	325	425	625	935	1250
B (mm)	63	63	105	120	200
C (mm)	202	252	365	515	670
H (mm)	315	415	613	920	1220
L (mm)	212	212	235	235	310

Structure in carbon steel or stainless steel - Colour on request - Subject to technical modifications

Feel free to contact us! Our team can provide your custom solution.