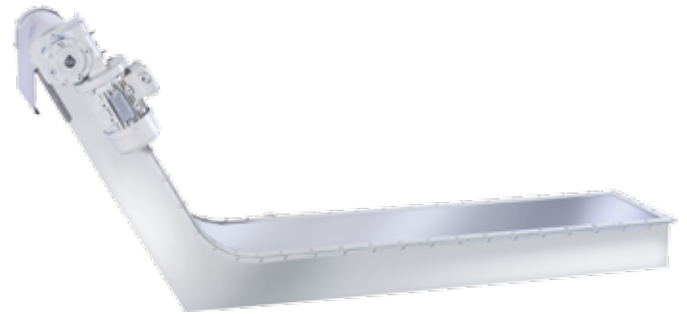
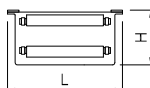
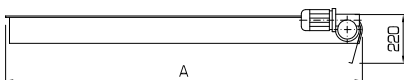
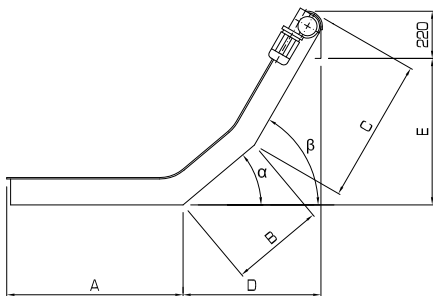
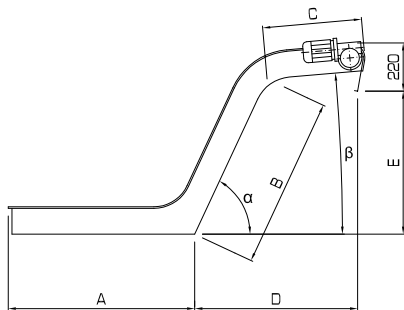
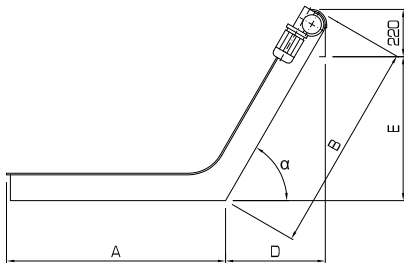


ADVANTAGES:

- Suitable for machine tools with short magnetic swarfs production
- Automatic and continuous operation
- Low purchasing costs
- Energy saving
- Compact design
- Minimal maintenance
- Easy installation
- Reliable and solid construction
- Empowered magnetic efficiency
- Watertight body
- Stainless steel sliding plane
- Ceramic permanent magnets
- Supermagnetical neodymium magnets available
- Integrable with conveying liquid hopper
- Electrical equipment on request



**Series TRM magnetic conveyors
extract swarfs from machine tools.**

**MACHINES ALWAYS CLEAN
WITH FILTRA CONVEYORS!**

TRM type	25	30
A - B - C - D - E - F	on request	
$\alpha - \beta$	0 - 75°	
H (mm)	110	145
L (mm)	200 - 400	200 - 550
Chain pitch (mm)	25,4	31,75

Structure in carbon steel or stainless steel - Colour on request - Subject to technical modifications

Feel free to contact us! Our team can provide your custom solution.