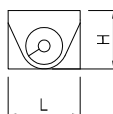
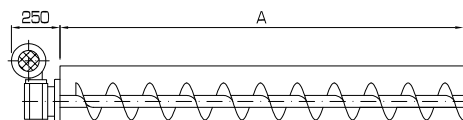


## SCREW CONVEYOR SCREW FROM 150 TO 250 MM

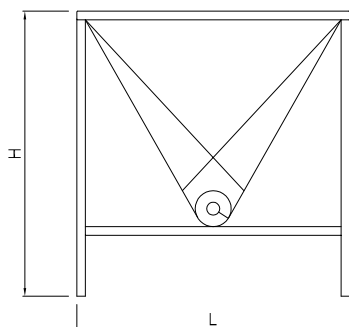
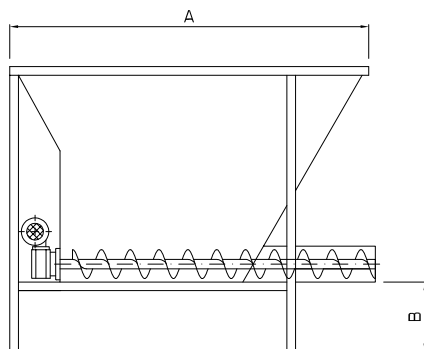
### ADVANTAGES:

- Suitable for machine tools with short swarfs production
- Automatic and continuous operation
- Low purchasing costs
- Energy saving
- Compact design
- Minimal maintenance
- Easy installation
- Reliable and solid construction
- Anti-lock swivel joint
- Watertight body
- Anti-wear steel special version
- High capacity charging hopper available
- Electrical equipment on request

### TRV



### TRV-C



**Series TRV screw conveyors extract swarfs from machine tools.**

**MACHINES ALWAYS CLEAN  
WITH FILTRA CONVEYORS!**

| TRV type             | 150        | 200     | 250     | C-200   |
|----------------------|------------|---------|---------|---------|
| A - B                | on request |         |         |         |
| H min (mm)           | 200        | 250     | 300     | 1000    |
| L min (mm)           | 180        | 230     | 280     | 1000    |
| Ø / screw pitch (mm) | 150/150    | 200/200 | 250/250 | 200/200 |

Structure in carbon steel or stainless steel - Colour on request  
Subject to technical modifications

Feel free to contact us! Our team can provide your custom solution.