

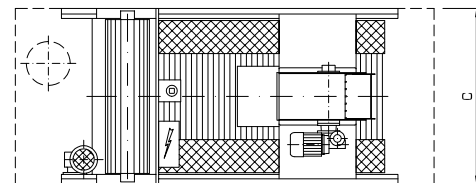
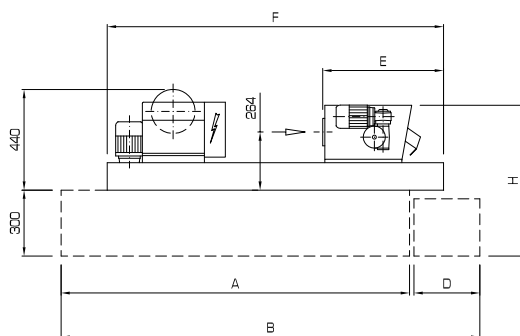
**Series COMB combined
automatic filters clean coolants
of magnetic metal machinings.**



**CHOOSE FILTRA NON-WOVENS
FOR A BETTER FILTRATION RESULT!**

ADVANTAGES:

- Suitable for all machine tools
- Minimal non-woven consumption thanks to magnetic separation
- Automatic and continuous operation
- Low purchasing cost
- Energy saving
- Minimal maintenance
- Suitable for different filtration degrees
- Easy installation
- Reliable and solid construction
- Automatic non-woven winder with sludge separation available
- Covers and guards with anti-drop system on request
- Special solutions with overlap Comb filters
- Electrical equipment on request



Comb type	05.10	05.13	07.13	07.15	10.15	10.20	10.25	10.30	10.35	10.40	10.45	10.50	14.15	14.20	14.25	14.30	14.35	14.40	14.45	14.50
I/min*	40	60	80	110	165	220	275	330	385	440	495	550	220	310	400	490	580	670	760	850
A (mm)	1150	1450	1400	1600	1700	2200	2700	3200	3700	4200	4700	5200	1800	2300	2800	3320	3820	4320	4820	5320
B (mm)	1360	1660	1660	1860	1960	2460	2960	3460	3960	4460	4960	5460	2060	2560	3060	3580	4080	4580	5080	5580
C (mm)	600	600	800	800	1100	1100	1100	1100	1100	1100	1100	1100	1530	1530	1530	1530	1530	1530	1530	1530
D (mm)	200	200	250	250	250	250	250	250	250	250	250	250	250	250	250	250	250	250	250	250
E (mm)	315	395	415	415	415	415	415	415	415	415	415	415	495	495	495	495	495	495	495	495
F (mm)	1080	1380	1330	1530	1630	2130	2600	3100	3600	4100	4600	5100	1720	2220	2720	3120	3620	4120	4620	5120
H (mm)	705	705	705	705	705	705	705	705	705	705	705	705	720	720	720	720	850	850	850	850

* Viscosity < 4 cSt - Structure in carbon steel or stainless steel - Colour on request - Subject to technical modifications

Feel free to contact us! Our team can provide your custom solution.