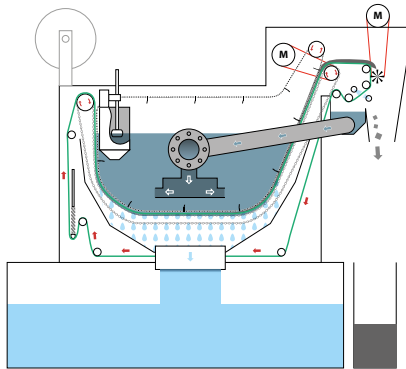


AUTOMATIC DEEP BED FILTER WITH PERMANENT FLEECE FLOW RATE FROM 220 TO 2600 L/MIN

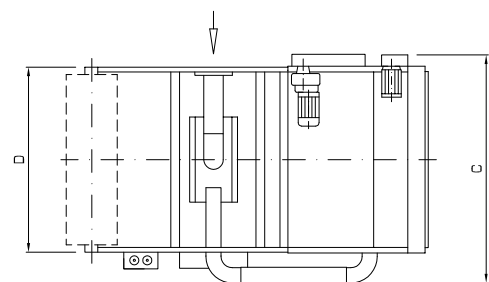
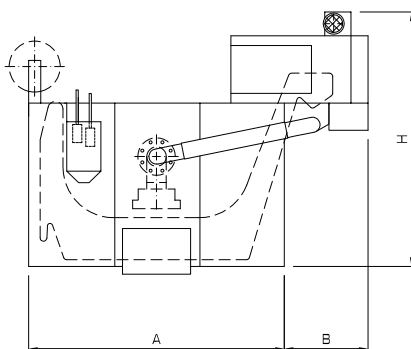


Series RBE automatic deep bed filters clean coolants combining reduced dimensions and high flow rates.

ADVANTAGES:

- Suitable for all machine tools
- Non-consumable filtering media
- Self cleaning
- Automatic and continuous operation
- Perfect for small and medium-sized systems
- Energy saving
- Compact design
- Minimal maintenance
- High filtration degree thanks to the high hydrostatic head
- Reduced overall dimensions
- Reliable and solid construction
- Suitable for non-wovens
- Covers and guards on request
- Electrical equipment on request

**STOP TO NON-WOVEN CONSUMPTION
WITH RBE FILTER!**



RBE type	A0.4	A0.8	A1.2	B1.1	B1.6	B2.0	B2.6	B3.1	C4.1	C4.9
l/min*	220	420	640	550	825	1100	1375	1650	2180	2600
A (mm)	1000	1500	2000	1000	1500	2000	2500	3000	2500	3000
B (mm)	500	500	500	500	500	500	500	500	800	800
C (mm)	700	700	700	1250	1250	1250	1250	1250	1930	1930
D (mm)	561	561	561	1086	1086	1086	1086	1086	1586	1586
H (mm)	1530	1530	1530	1530	1530	1530	1530	1530	1870	1870

* Viscosity < 4 cSt - Structure in carbon steel or stainless steel - Colour on request - Subject to technical modifications

Feel free to contact us! Our team can provide your custom solution.