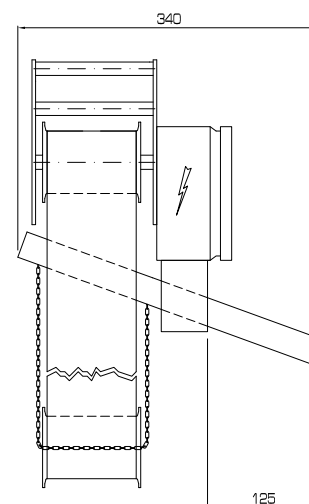
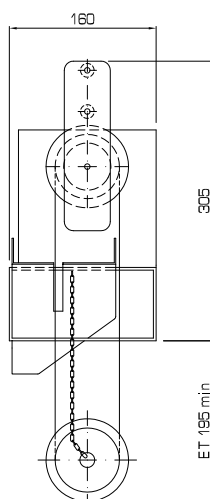

ADVANTAGES:

- Adaptable to existing tanks
- Longer life for coolants
- Lower disposal costs
- Self cleaning
- Automatic and continuous operation
- Low purchasing costs
- Energy saving
- Compact design
- Minimal maintenance
- Easy installation
- Reliable and solid construction
- Higher depth of immersion
- Different sizes fitting for all tanks
- Anti oil PTFE deoiling belt
- Parts in contact with liquid in nickel steel
- Available in stainless steel
- Electrical equipment on request



Series BSK oil skimmers remove tramp oils floating on emulsions.

**STOP TO BAD ODOURS
WITH BSK OIL SKIMMER!**



BSK type	AO.6
Extraction (l/h)	5
Power (W)	5
Voltage	220V - 24V AC
ET (mm)	on request

Structure in carbon steel or stainless steel - Colour RAL 7032
 Subject to technical modifications

Feel free to contact us! Our team can provide your custom solution.